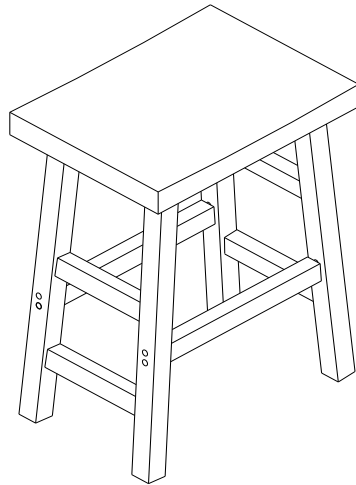


Stool W/ Metal Base



Thank you for purchasing our Stool. **We have found it helpful to have a second person present during the assembly of this product.**

Assembly Instructions

Lay out all parts on a "non-abrasive" surface to avoid scratching furniture.

NO.	DRAWING	DESCRIPTION	QTY.
A		TOP	1
B		SIDE ASSEMBLY	2
C		CROSS RAIL	2

NO.	DRAWING	DESCRIPTION	QTY.
D		M6*45mm BOLT	8
E		LOCK WASHER	8
F		WASHER	8
G		M6*60mm BOLT	8
H		WRENCH	1

Step 1

Read through these instructions thoroughly before beginning assembly. We have found this to be of great value when first assembling this product.

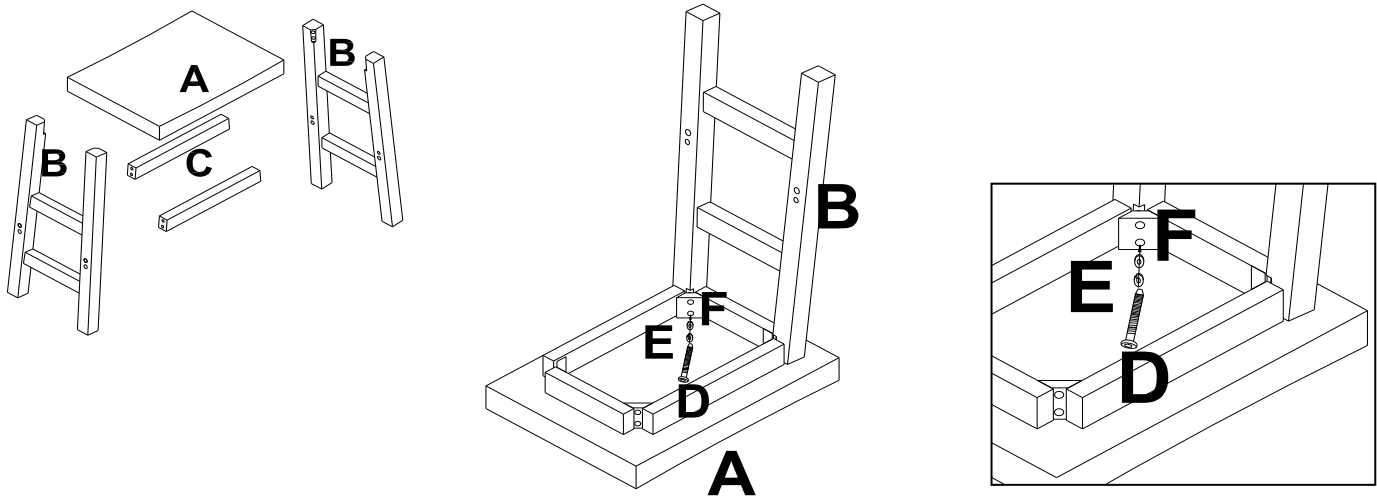
Step 2

Remove all parts and hardware from packing material. Wooden pieces should be placed on a non abrasive surface (like the carton or carpet) to prevent damage to the finish.

Step 3

Lay Top Seat (A) upside down and attach Side Assembly (B) to underside of Seat using 4 - M6 x 45mm Bolts (D), 4 washers (F) and 4 Lock Washers (E).

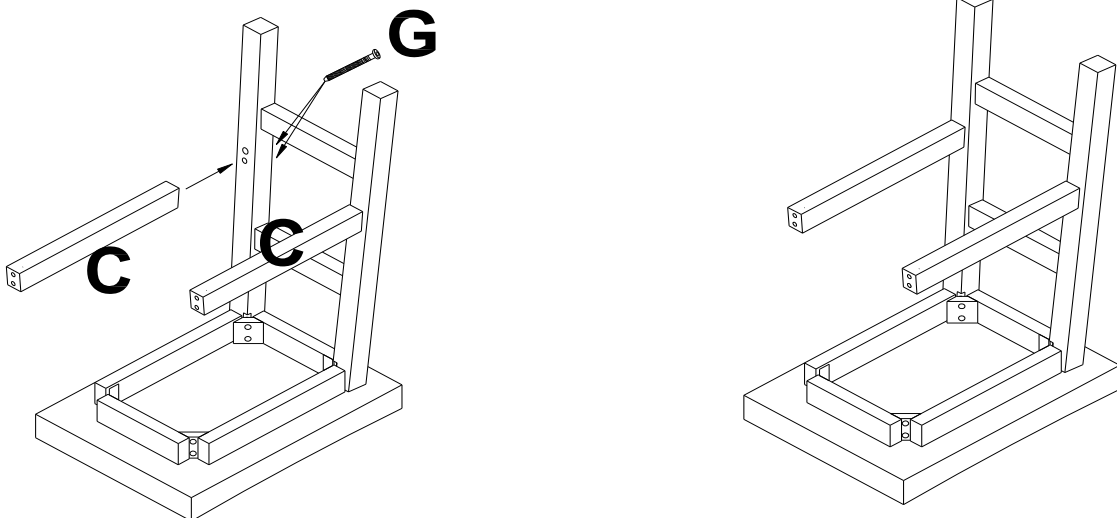
DO NOT TIGHTEN FIRMLY AT THIS TIME.



Step 4

Attach 2 Cross Rails (C) using 4 - M6 x 60MM Bolts (G). Align the Bolts thru the holes in Side Assembly (B) into the Threaded Inserts in Cross Rail (C).

DO NOT TIGHTEN FIRMLY AT THIS TIME.

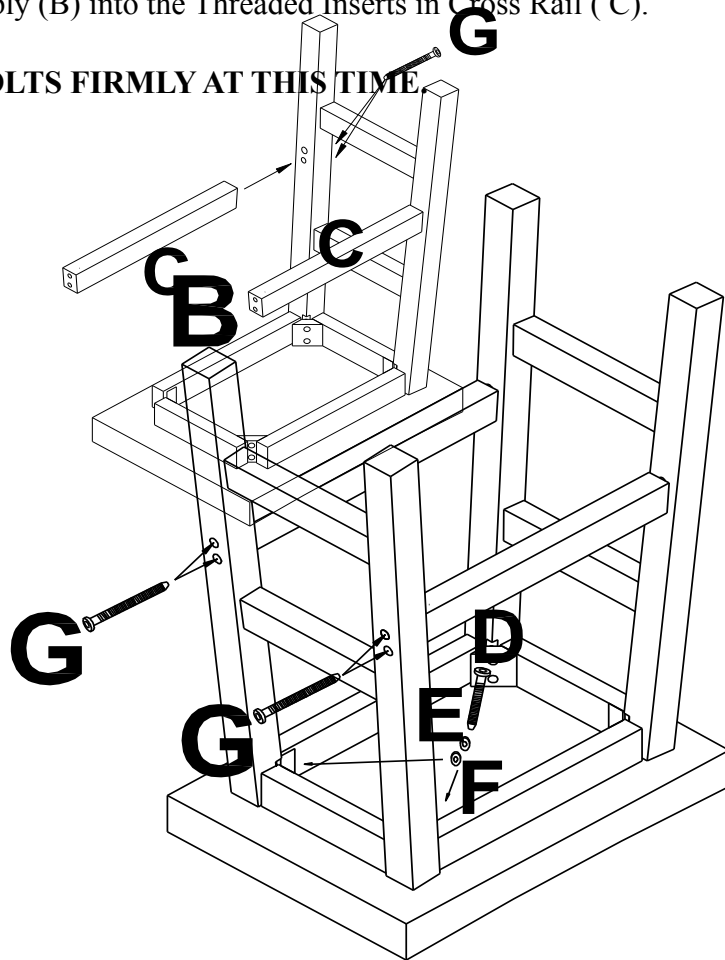


Step 5

Attach Side Assembly (B) to underside of Seat using 4 - M6 x 45mm Bolts (D), 4 washers (F) and 4 Lock Washers (E) - Do not over tighten.

Attach 2 Cross Rails (C) using 4 - M6 x 60MM Bolts (G). Align the Bolts thru the holes in Side Assembly (B) into the Threaded Inserts in Cross Rail (C).

TIGHTEN ALL BOLTS FIRMLY AT THIS TIME



CARE

Clean with mild soap and wipe dry.

REPLACEMENT PARTS:

For best service, to order replacement parts go to www.alaterrefurniture.com.
Use the order form on the web site to order your replacement parts. **Thank You!**